

SAM4S



Gcube

Be Flexible with You!

Flexible Design

Front & Top Feeding



▲Front Feeding



▲Top Feeding



- ▶ Both types are waterproof without splash cover
- ▶ It can be set to 180 or 203dpi in one printer
- ▶ Fast speed printing up to 250mm/sec

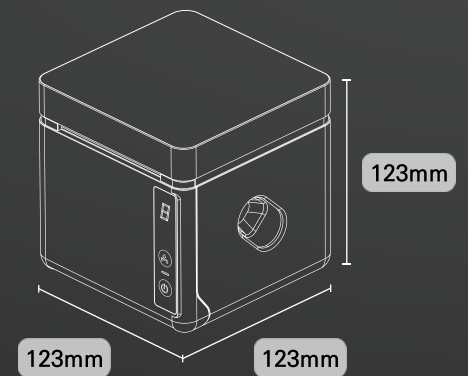
Color Variation



▲Black



▲White



- ▲ The smallest receipt printer in the world

Flexible Composition

Setting



LED Notification

- ▶ Printer can be set by LED notification
- ▶ Printer status notification by LED

e.g



▲P : Paper End



▲C : Cover Open



NFC Function

- ▶ NFC allows you to set up the printer on your mobile phone



Installation

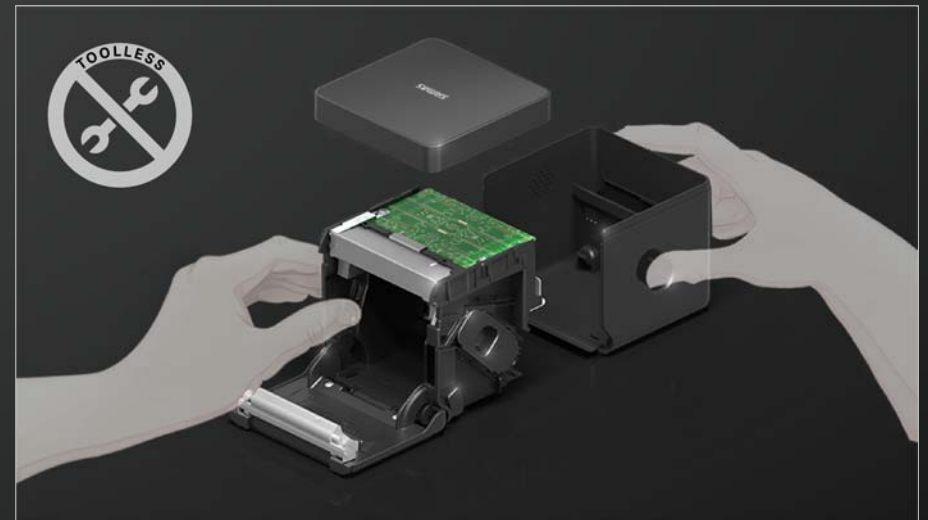


▲Wall Type



▲Under Shelf Type

Assembly



Communication

Wi-Fi or Bluetooth module is built in

- ▶ Compatible with all major operating systems including Android, iOS and Windows
- ▶ Apple MFi certified



Interface



▲ USB+Serial



▲ USB+Serial+Ethernet



▲ USB+Bluetooth+Ethernet



▲ USB+Wi-Fi+Ethernet



Specification

Model	Gcube-100	
Printing	Speed	250mm/sec
	Resolution	180/203dpi
	Cutting	Partial cut/Full cut
Paper	Width	Max. 80.0/58.0mm
	Diameter	Max. ϕ 83.0mm
Reliability	TPH	1×10^8 Pulses/150km
	Cutter	1.5 million cuts
Connectivity	Interface	- USB + Serial (D-Sub25) - USB + Serial (D-Sub9) + Ethernet - USB + Wi-Fi + Ethernet - USB + Bluetooth + Ethernet
	NFC Function	ISO/IEC 14443A compatible
Software	Emulation	EPSON, STAR
	Driver/Utility	Windows driver, OPOS driver, JPOS driver (Linux&Mac), CUPS driver (Linux&Mac), Utility program
	SDK	Windows, OPOS, JPOS, CUPS, Android, iOS
	OS	POSReady 7, Windows Embedded 8 Industry, Windows 10 IoT Enterprise, Windows 7, Windows 8/8.1, Windows 10, Linux, Mac OS, Android, iOS
General	Dimension (WxDxH)	123x123x123mm
	Net weight	750g
	Color	Black/White
Option	Installation	Under shelf kit
	Accessory	Kitchen bell
	Sensor	Paper near end sensor

*Without any prior notice, design and specification are subject to change

SAM4S

Shinheung Precision Co., Ltd. / Seoul Office

9F, Flat-C, Woolim Lion's Valley, Gasan Digital 1Ro 168, Geumcheon-gu, Seoul, 08507, Korea
 Tel. +82-2-2101-9623 | Fax. +82-2-2101-9690 | www.sam4s.com

