

STAND PORTRAIT

Secure Stand in Portrait Orientation For iPad 10.2-inch 7th Generation



WindFall Stand Portrait for iPad 10.2-inch secures your device for use as a gorgeous digital display or point-of-service. Steel mounting brackets secure your iPad without covering up any buttons, ports, or switches.

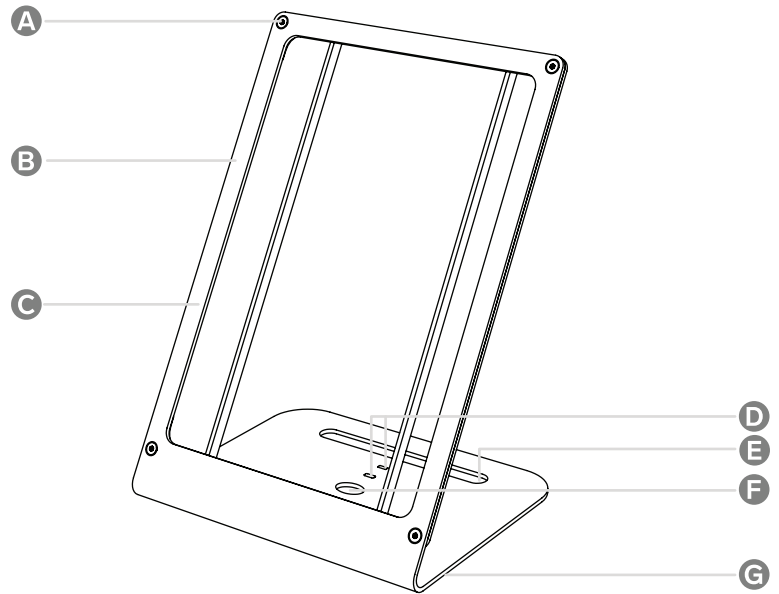
Stand Portrait

H607X

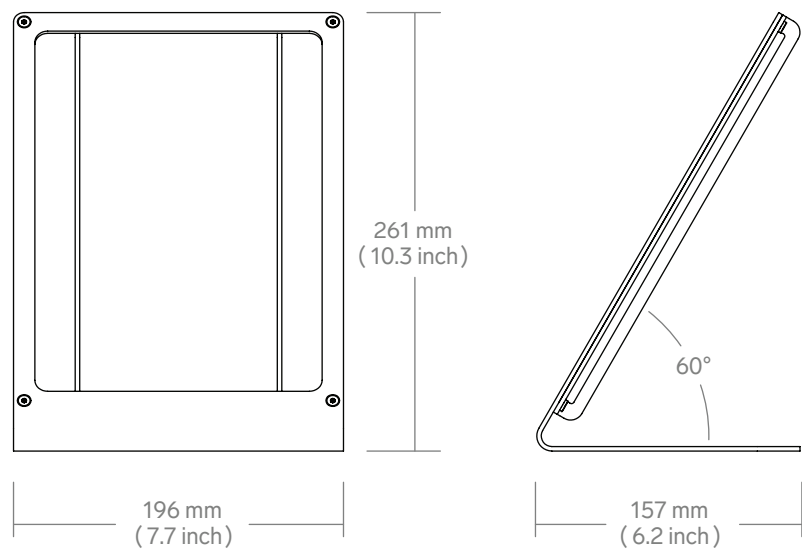
Secure Stand in Portrait Orientation For iPad 10.2-inch 7th Generation

Features

- A Tamper-resistant screws
- B Scratch & fingerprint-resistant powdercoat finish
- C Heavy steel construction
- D Kensington Security slots
- E Pivot & Slide slot
- F Pivot point
- G Friction & sliding feet included



Dimensions



Stand Portrait

H607X

Secure Stand in Portrait Orientation For iPad 10.2-inch 7th Generation

Specifications

SKU	H607X
Height	10.3 inches
Width	7.7 inches
Depth	6.2 inches
Weight	2.5 lbs
Viewing Angle	60 degrees
Warranty	2 years

Colors

Name	SKU
Black Grey	H607X-BG
Grey White	H607X-GW

Compatible Devices

iPad 10.2-inch 7th Generation

In the Box

WindFall Stand Portrait
Assembly tool
Four friction feet
Four sliding feet